

Vertical Pit Pumps



Since 1948

Agitate FAST, Transfer FAST, Load FAST



All Stainless Steel hardware below liquid line.



PTO Driven

Electric Motor Driven



MANURE SOLUTIONS
www.patzcorp.com

**FLEXIBLE PAYMENT
PLANS AVAILABLE.
ASK FOR DETAILS.**



6000, 8000, & 8000 High Performance

Built strong - easy to use - delivering powerful results!

PTO Drive Vertical Pit Pumps



The single or dual agitation nozzles flex 5 degrees above to 35 degrees below horizontal. The knife style can be shifted with the PTO speed at idle.



A 3-quart oil reservoir makes it easy to monitor oil level in the bearing pack.

- Easily insert pump into pit because it is articulated on two-point hitch. Enjoy the convenience of all-hydraulic controls or choose manual controls.
- Choose from two pump mounting options for agitating below-ground liquid-manure storage pit and for loading liquid-manure spreader:
 1. Stationary base secured to manure pit or
 2. Two-point tractor hitch with hydraulics for tilting (540 or 1,000 RPM).
- Match your pit depth with choice of four pump lengths: 6, 8, 10 and 12 feet (1.83, 2.44, 3.05, and 3.66 m). Large U-bolts allow the frame to be adjusted up or down for precise placement.
- Match your desired speed of transfer and loading with two pump sizes: 6-inch (152 mm) and 8-inch (203 mm).
- Reduce agitation time with dual nozzles that blend crusted manure and settled solids into a liquid slurry fast.
- Get better pit clean-out from agitating every corner by adjusting nozzles (rotating 270° and raising/lowering 20°).
- Choose basic pump or add optional agitation (for pits with no crusting or settled solids).
- Efficient curved impeller blades in a voluted housing save time agitating, transferring, and loading. High-volume pump [up to 3,500 gallons (13,249 liters) per minute]. Transfer or load while agitating.
- Impeller, impeller housing, and shear plate come standard in AR400 abrasion-resisting steel for longer life.
- Get high load-carrying capacity and long service life from tapered roller bearings in oil bath chamber protected by three seals.
- The loading pipe is 20 feet long (6.1 m) and includes a wheeled undercarriage.
- Reduce maintenance costs and get long service life from heavy-duty gearbox.
- Tractor Requirements: 6000 & 8000, 100 HP minimum; 8000 High Performance, 140 HP minimum.

High Performance now available!

Ask for more information about remote agitation/storage systems.

6000 E

High-volume pumping & long service life!

Electric Drive Vertical Pit Pump



Unique plumbing system eliminates need to enter pit. Ask your dealer for details.

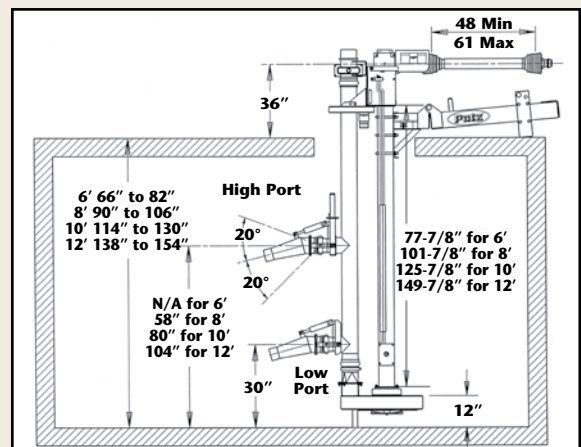


Easily insert pump into pit with user friendly manual riser pipe slide & tilt mount kit.



Twin motor belt drive system is easier on the upper drive shaft and bearings. (Guard removed for photo.)

- A stationary base secured to manure pit is standard on the 6000 E Pump.
- Equipped with choice of two-point tractor hitch for easy insertion and removal from pit for service or manual slide and tilt.
- Match your pit depth with choice of 6, 8, 10, and 12 foot lengths (1.83, 2.44, 3.05, and 3.66 m). Large U-bolts allow the frame to be adjusted up or down for precise placement.
- Get better pit clean-out with optional agitation (nozzle can be rotated horizontally).
- Choose basic pump or add optional agitation (for pits with no crusting or settled solids).
- Efficient curved impeller blades in a voluted housing save time agitating, transferring, and loading. High-volume pump up to 3,000 gallons (11,356 liters) per minute during agitation and 2,200 gallons (8,328 liters) per minute during loading.
- Impeller, impeller housing, and shear plate come standard in AR400 abrasion-resisting steel for longer life.
- Get high load-carrying capacity and long service life from tapered roller bearings in oil bath chamber protected by three seals.
- End guessing about oil level. Inspect oil level conveniently in transparent reservoir with dipstick at top of pump.
- Horsepower Requirements: Twin 15, 20, 25, or 30 HP, 3-phase motors.



Ask for more information about remote agitation/storage systems.

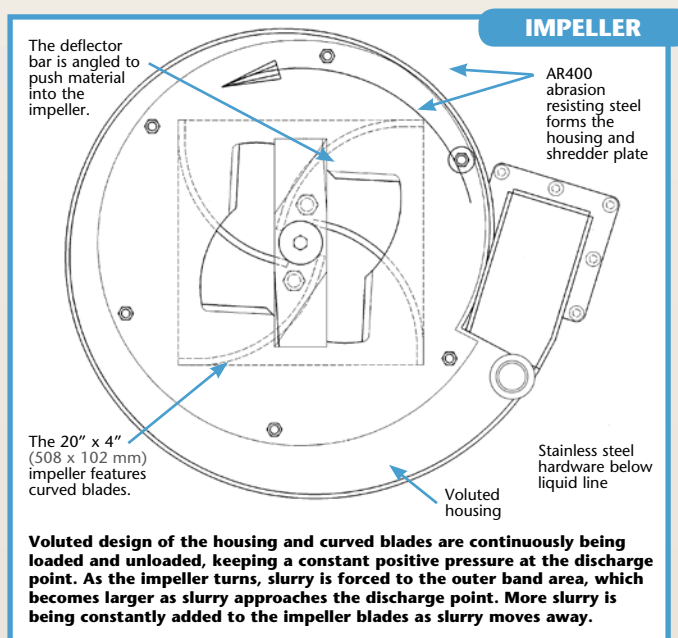
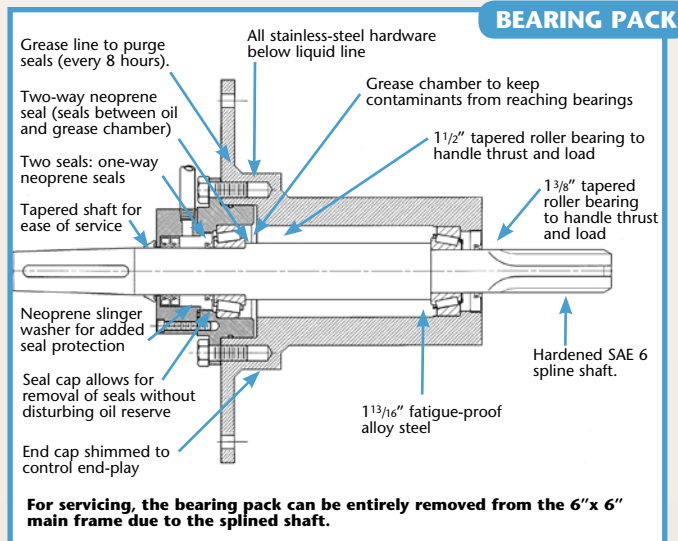
SPECIFICATIONS & Features		6000E	6000	8000	8000 HP
Maximum Recommended Distance From Pit To Storage	300 ft. of 6-inch PVC pipe.	■	■		
	350 ft. of 8-inch PVC pipe.			■	■
Minimum Tractor HP Requirements	100 HP	N/A	■	■	
	140 HP	N/A			■
Motor HP Requirements	Twin 15, 20, 25, or 30 HP 3-phase	■	N/A	N/A	N/A
Mounting	PTO Drive: 2-point hitch with hydraulics for tilting.		■	■	■
	Electric Drive: 2-point hitch with hydraulics used for removal for servicing.	■			
	Electric Drive: Slide & Tilt.	■			
Pump Lengths	6, 8, 10, and 12 feet (measured from the top of the pit cover to the pit floor).	■	■	■	■
Pump Capacity (Loading) (varies with moisture content)	Up to 2,200 gal./min.	■			
	Up to 2,500 gal./min.		■		
	Up to 3,000 gal./min.			■	
	Up to 3,500 gal./min.				■
Pump Capacity (Agitation) (varies with moisture content) and nozzle size	Up to 3,000 gal./min.	■	■		
	Up to 3,500 gal./min.			■	
	Up to 4,000 gal./min.				■
RPMs	540 or 1000	N/A	■	■	■
Valves Function-ability	Shift at idle speed.		■	■	■
	On the go shift.	■			
Agitation	Optional agitation.	■	■	■	■
	Optional dual-level agitation and dual elevation control.		■	■	■

Contact your local Patz Dealer for more information.



Proven Performance You Can Count On!
Patz Corporation
 917 Business 141, POB 7 • Pound, Wisconsin 54161-0007
 Ph: (920) 897-2251 • Fax: (920) 897-2142
 www.patzcorp.com • info@patzcorp.com

PA-19077 Rev. 4/14 ©2002-2014 Patz Corporation Printed in U.S.A.



CAUTION: Never operate Patz equipment without all shields and guards in place. Safety is no accident. Before operating any piece of equipment, be sure to read and understand the operator's manual. This manual should be kept with the machine at all times. Additionally, make sure all safety shields and devices are functioning properly and are securely in place.

For some photos in this brochure, guards were removed for photographic purposes only to allow viewing of the equipment features. Before operating equipment, all guards must be in place. Because Patz continually improves and updates products, Patz reserves the right to change the construction of machines or attachments or any part thereof without incurring any obligation to make like changes on Patz machines, or attachments previously delivered. Specifications and prices subject to change without notice.

